

PCS Spa Structures Bespoke Shower Enclosures



Bespoke Shower Room

Location

Private residential

Design Criteria

Luxury bathing environment incorporating showers, steamroom, dressing room and WC.

Installation Time - 7 days (guide only)



Poolside Shower Experience

Location

Private Health Club

Design Criteria

Single shower bathing environment incorporating Duche shower, bodyjets, overhead spray and power dryer

Installation Time - 2 days (guide only)



Triple Shower

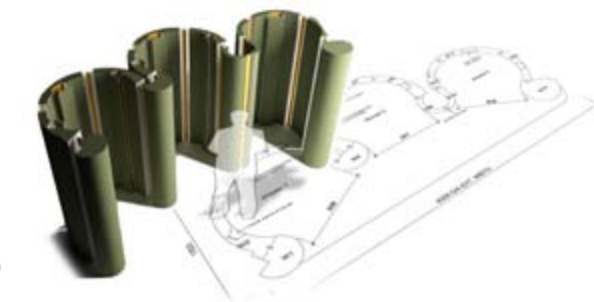
Location

Local Authority Sports Centre

Design Criteria

3 person bathing environment incorporating waterblade, bodyjets and overhead shower.

Installation Time - 2 days (guide only)



Double Shower

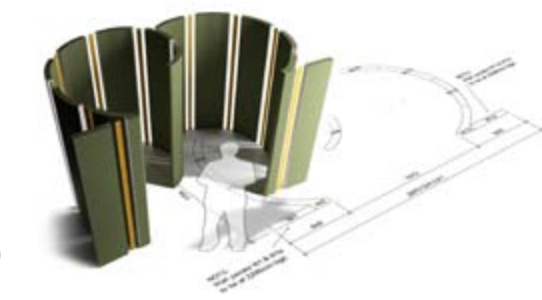
Location

Private Residential

Design Criteria

Twin shower bathing environment incorporating aromatherapy spray, bodyjets and overhead shower

Installation Time - 1 days (guide only)



Bespoke structures manufactured upon request.

Please contact head office for more info:

T: +44 (0) 844 335 1136 F: +44 (0) 1942 246 706

www.pcsboard.com