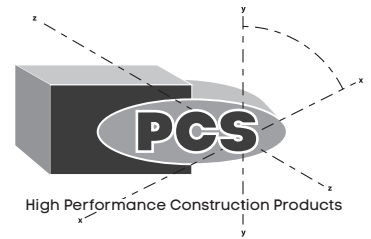


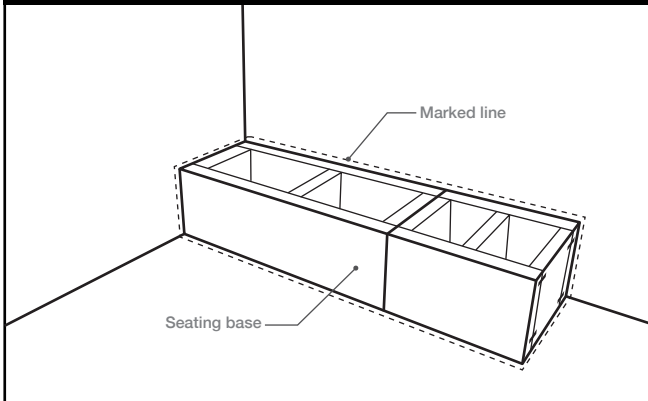
Seating Installation

PCS seating profiles can be supplied as a single unit or as separate components depending on the style of seating profile. It is important to temporarily place the seating units into position following the fixing plan to familiarise yourself with the parts that make up the seating.

As we have no knowledge of actual site conditions for your particular installation the adhesive required to fix the seating can vary ie DeltaSeal, Foam adhesive and Flexible cement based tile adhesive can all be used. You will have been supplied with fixing materials but you may require additional materials should site conditions dictate. The fixing materials required are common building adhesives that can be purchased from most DIY stores and Builders Merchants. Solvent based adhesives **MUST NOT** be used.

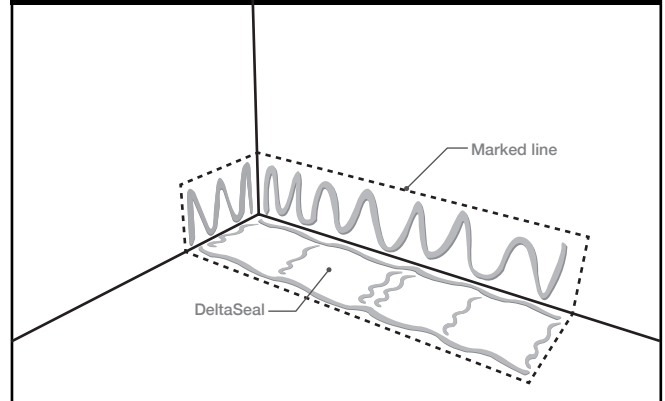


STAGE 1 - Setting out the Seating Profiles



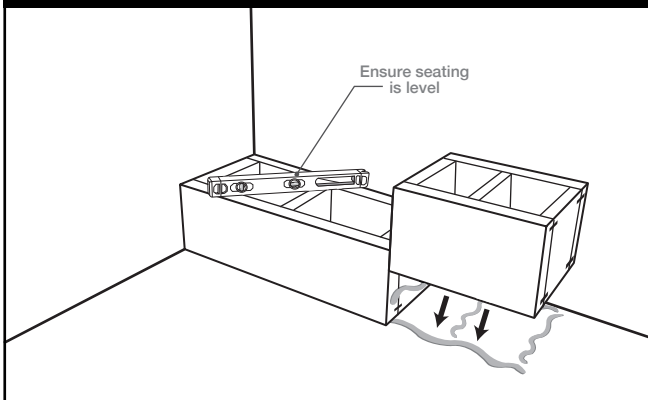
- Check the floor for level. If the floor is not level it will be important that you identify the highest part of the floor as you may need to allow for this when fitting the seating base unit.
- Temporarily place the seating units into position according to the fixing plan and mark the floor and wall following the line of the base unit as a guide.
- Remove the seating so that adhesive can be applied to the pre marked floor and wall area.

STAGE 2 - Fixing the Seating Profiles

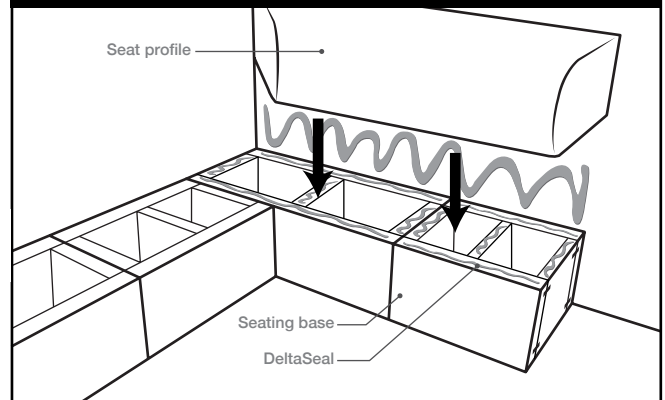


- Apply a bed of DeltaSeal to the wall and floor area where the seat base is to be bonded. Ensure that each unit is level before continuing.
- Repeat this process for all seating parts remembering to apply DeltaSeal to the sides of the seating profiles so that they are bonded to each other.

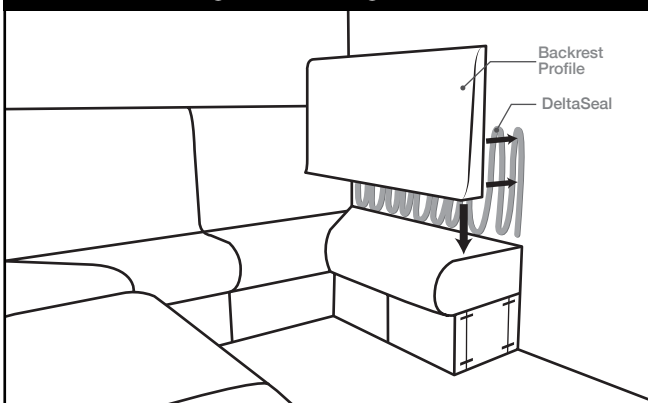
STAGE 3 - Fixing the Seating Profiles



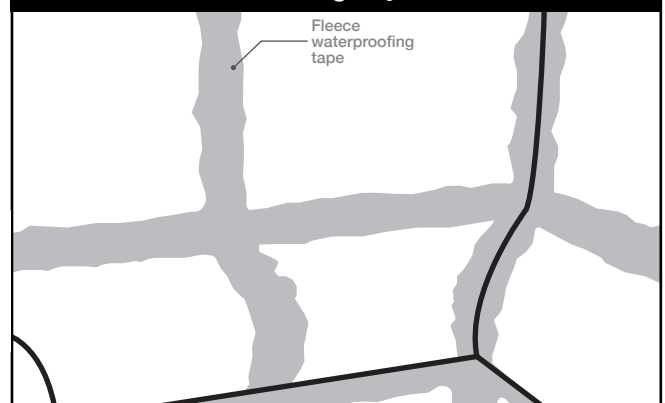
STAGE 4 - Fixing the Seating Profiles



STAGE 5 - Fixing the Seating Profiles



STAGE 6 - Waterproofing all joints



- It is important that ALL joints are waterproofed prior to tiling using PCS waterproofing paste and tape. (refer to PCS waterproofing instructions)
- **Vapour Barrier protection:** remember to apply the PCS paste over the surface of the walls, ceiling and seating profiles if being used within a steam room.