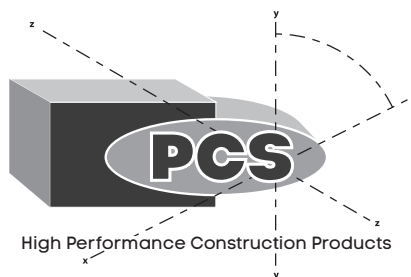
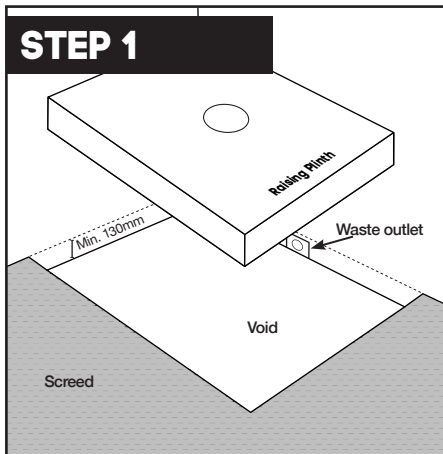


DeltaTray Plus+

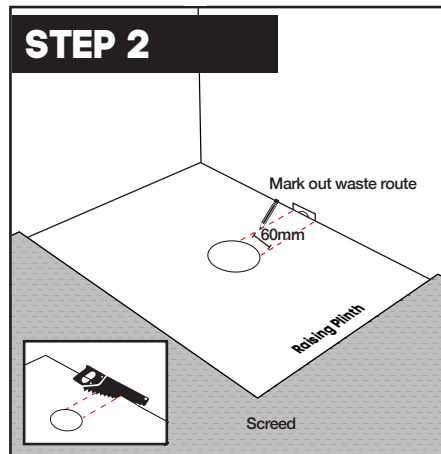
Installation Guide For Solid Floors



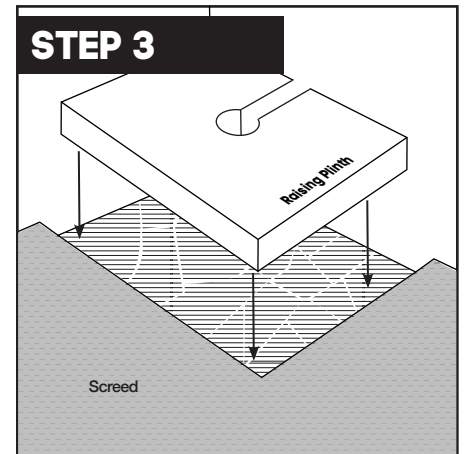
To familiarise yourself with the installation stages, the instructions set out below must be thoroughly read and understood before installation begins. Please note that some of the illustrations may not be representative for your particular installation.



Clear the working area and position the Raising Plinth in the desired position.

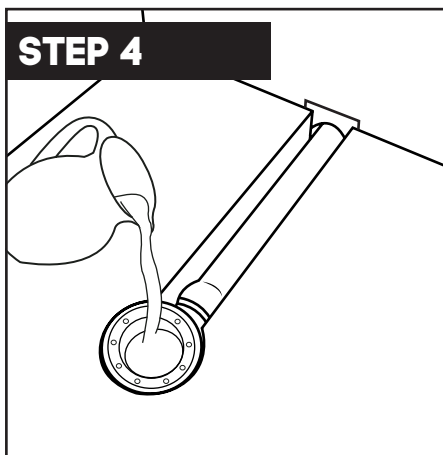


With the raising plinth placed into position, mark out a 60mm wide path on the Raising Plinth which will be used to house the waste pipe. Using a hand saw cut out the 60mm wide channel to make a clear path for the waste pipe route. This channel will be back filled with adhesive at a later stage.

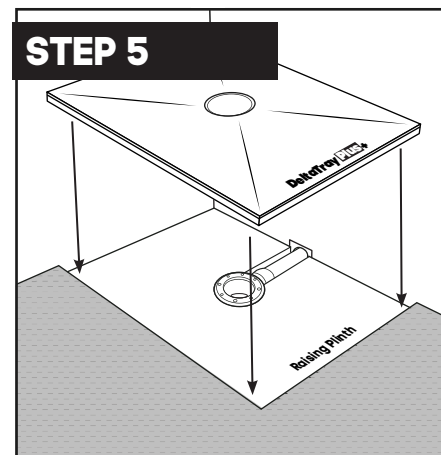


The Raising Plinth is permanently fixed in place using a good quality, cement based, rapid setting, flexible tile adhesive. Apply the adhesive with a suitable thick bed notched trowel.

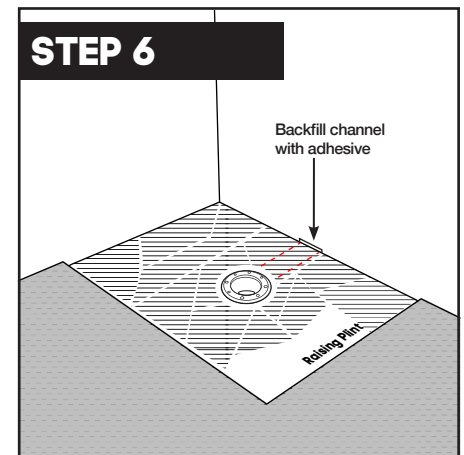
Place the Raising Plinth into the adhesive and firm down to ensure good contact with the adhesive bed. Check that the surface of the Raising Plinth is level.



Locate the drain body in position and connect to the waste pipe using 1 1/2" ABS solvent weld waste pipe. It is important at this stage to check the waste connection for leaks, as you will not be able to return to this assembly at a later date.

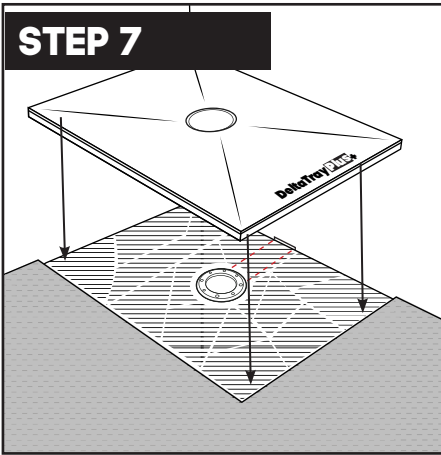


To ensure the drain body aligns with the drain aperture within the DeltaTray, temporarily place the DeltaTray Plus+ onto the plinth checking that they align, make any adjustments as necessary.

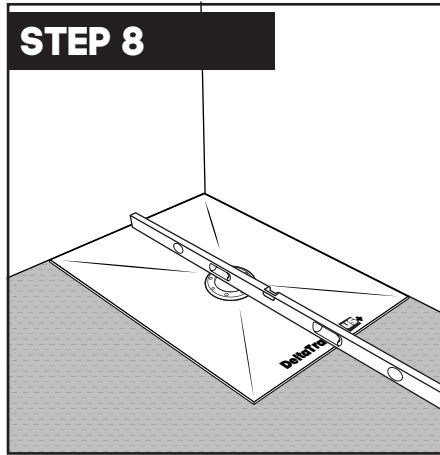


Apply a bed of adhesive to the top of the Raising Plinth using a notched trowel making sure to leave a 10mm gap around the drain body. The adhesive should also be used to backfill the channel around the waste pipe.

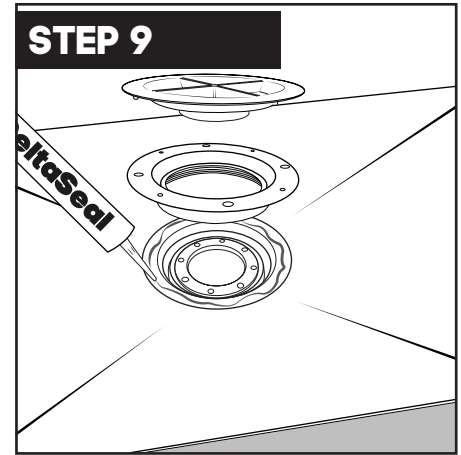
IMPORTANT BACKFILLING DETAIL: Backfilling the waste pipe channel with adhesive **MUST ONLY** be carried out at the time when applying the adhesive to fit the tray. **DO NOT** pre fill with adhesive prior to this stage as this will restrict the waste body from being pulled up to make the watertight seal to the tray.



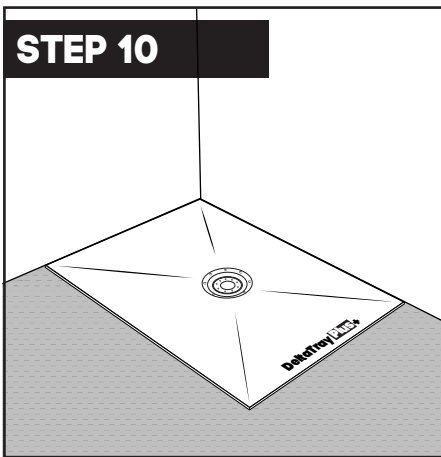
With care place the DeltaTray Plus+ into the adhesive. Make sure the rubber seal of the lower drain body drain remains firmly seated on the drain body. Apply moderate pressure to the entire surface of the tray and around the drain aperture, making sure there are no hollow spots beneath the tray.



Using a spirit level make sure the Tray is perfectly flat and level around perimeter. If the DeltaTray is set out of level, water will not flow to the drain correctly.



Whilst the adhesive is still wet it is important to secure the tray and the upper drain components to the lower drain body. To do this, first place a continuous bead of DeltaSeal into the rebate of the DeltaTray Plus+. Next, place the threaded collar into the tray connecting into the lower drain body. Using the securing key, securely tighten the threaded collar to the lower drain body. It is important that the lower drain body is pulled upwards by the threaded collar creating a watertight seal between the components.



With the Tray securely fixed, the surrounding floor area should be made level to finish flush with the surface of the DeltaTray Plus+. The material used to level the surrounding floor must be suitable for use with Vinyl floor finishes. Finishes such as flexible cement screeds and cement backer boards can be used. It is important that the subfloor is structurally sound and able to support the weight of the overlay materials for its intended use.

Once the floors are level & dry and all surrounding walls suitably prepared, the vinyl floor finishes can be fitted.

IMPORTANT NOTES:

The joints between the DeltaTray Plus+ and surrounding walls and floors must be stable before the Vinyl floor finishes are fitted. Any movement between joints could result in cracks appearing in the vinyl floor finish. The integrity of the seal between the vinyl flooring and the drain body relies on a good seal between the vinyl floor and the threaded collar. Suitable silicone sealants and mastics are available for this purpose. Acetoxy sealants must not be used as they may be detrimental to the plastic used in the manufacture of the drain body.

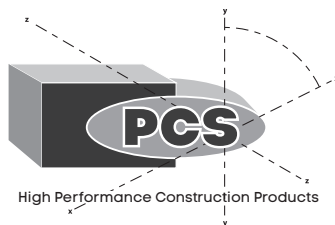
The Vinyl floor covering when fitted must be sealed with a suitable sealant and clamped to the threaded collar using the stainless steel clamping ring supplied with the drain body.

Refer to the McAlpine drain body installation and maintenance guide (supplied with drain) for further details on the fitting of the drain parts.



SECONDARY WATERPROOFING:

To provide additional secondary waterproofing below the floor finish. We recommend taping all joints with a suitable waterproofing system.



High Performance Construction Products

PCS

Hemfield Court, Makerfield Way,
Ince, Wigan, Lancashire
WN2 2PR

+44 (0)1942 820131

sales@pcsboard.com

www.pcsboard.com